

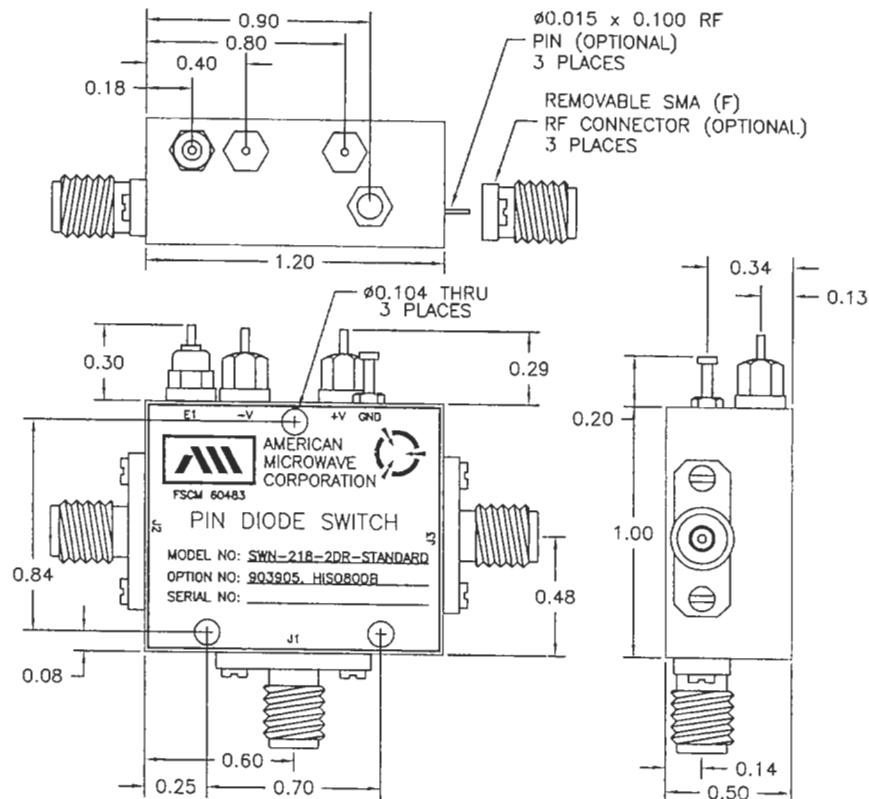
DESCRIPTION

AMC MODEL SWN-218-2DR-STANDARD OPTION: 903905, HIS080DB IS A SINGLE POLE TWO THROW SWITCH DESIGNED TO OPERATE BETWEEN 9.3 TO 9.5 GHz FREQUENCY RANGE WITH A MINIMUM ISOLATION OF 80 dB, INSERTION LOSS OF 1.2 dB GOAL, 1.5 dB TYPICAL AND 1.75 dB MAXIMUM.

| REVISIONS | | | | |
|-----------|------|------------------------------|----------|----------|
| ZONE | REV. | DESCRIPTION | DATE | APPROVED |
| - | - | ORIGINAL RELEASE JOB# 406115 | 07/19/04 | |

SPECIFICATIONS:

- FREQUENCY: 9.3 TO 9.5 GHz
- INSERTION LOSS: 1.2 dB GOAL
1.5 dB TYPICAL
1.75 dB MAXIMUM
- ISOLATION: 80 dB MINIMUM
- VSWR: 2.0:1
- SPEED: RISE: 10ns TYPICAL, 15ns MAXIMUM
FALL: 10ns TYPICAL, 15ns MAXIMUM
DELAY ON: 75ns TYPICAL, 100ns MAXIMUM
DELAY OFF: 75ns TYPICAL, 100ns MAXIMUM
- POWER INPUT: (CW)+20dBm (STANDARD), +10 dBm (HIGH SPEED)
- SURVIVAL POWER: 1 WATT CW, 10 WATTS PEAK 1 usec
- CONTROL: TTL LOGIC "0" = J1-J2 ON
TTL LOGIC "1" = J1-J3 ON
- POWER SUPPLY: +5V @ 100 mA MAXIMUM
-5V @ 75mA MAXIMUM



ENVIRONMENTAL RATINGS:

- TEMPERATURE: -55°C TO +85°C (OPERATING)
-65°C TO +125°C (STORAGE)
- HUMIDITY: MIL-STD-202F, METHOD 103B COND. B
- SHOCK: MIL-STD-202F, METHOD 213B COND. B
- VIBRATION: MIL-STD-202F, METHOD 204D COND. B
- ALTITUDE: MIL-STD-202F, METHOD 105C COND. B
- TEMPERATURE CYCLE: MIL-STD-202F, METHOD 107D COND. A

NOTE: SPECIFICATIONS WILL VARY OVER OPERATING TEMPERATURE
NOTE: THE ABOVE SPECIFICATIONS ARE SUBJECT TO CHANGE OR REVISION

ALL DIMENSIONS ARE IN INCHES

TOLERANCES:
X.XX ±0.020
X.XXX ±0.010

AMERICAN MICROWAVE CORPORATION

7311-G GROVE ROAD
FREDERICK, MARYLAND 21704 USA
TEL: 301-662-4700 FAX: 301-662-4938
WEBSITE: www.americanmicrowavecorp.com
E-MAIL: sales@americanmicrowavecorp.com
ISO 9001:2000 CERTIFIED



| APPROVALS | | DATE | TITLE | | | |
|-----------|--|---------|--|----------|----------|--------|
| DRAWN | | 7/19/04 | PRODUCT FEATURE SWN-218-2DR-STANDARD OPTION: 903905, HIS080DB 9.3-9.5 GHz SP2T SOLID STATE SWITCH | | | |
| CHECKED | | 8/3/04 | SIZE | FSCM NO. | DWG NO. | REV. |
| ISSUED | | | A | 60483 | 100-7044 | - |
| | | | SCALE | N:S | SHEET | 1 OF 3 |